

ROBIN

TELECOM DEVELOPMENT



ROBIN Tech Note

Version: 1.0.2 ENG
Datum: 26-03-2015



How-To:
Robin and WEBRelay

Robin and WEBRelays

The Robin SmartView (SV) and Robin SIP s2 are equipped with one built-in relay, often used to open doors and gates.

If one relay is not sufficient for your needs you can use an IP-controlled external relay box. The Robin SV and Robin SIP s2 are compatible with the WEBRelay products. The Quad-LS is equipped with 4 relay switches and is powered by Power over Ethernet (PoE) or a separate power adapter.

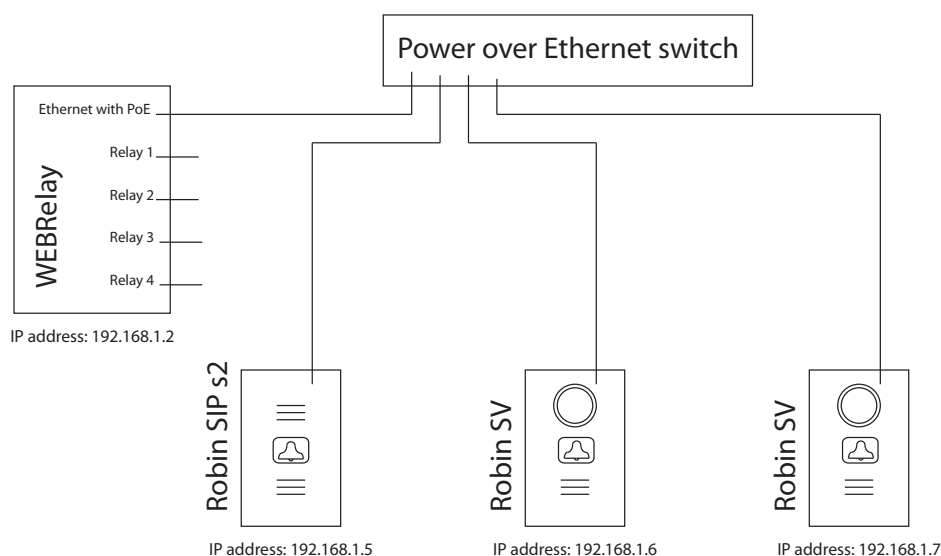
This document explains how the Robin SV and SIP s2 can connect with the WEBRelay and how to use 'Events' of the Robin to operate the relay switches of the WEBRelay.

Configuration of the WEBRelay and the Robin

The possibilities of the Robin and the WEBRelay are almost countless, but we'll explain some of the possibilities using the following example.

Connection example

This example shows how three Robin products can use one WEBRelay.



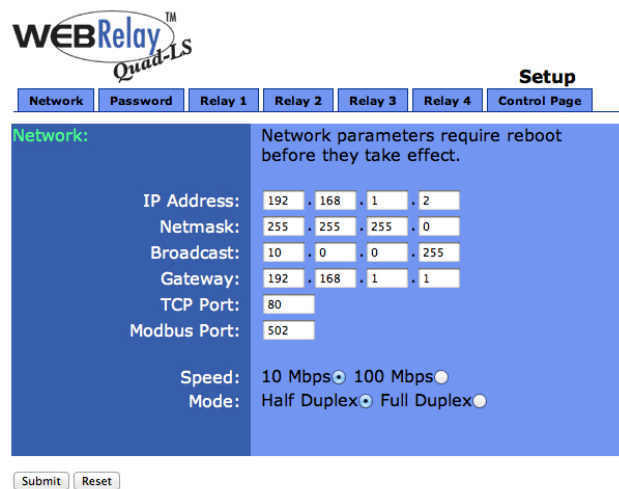
- 1 The Robin SIP s2 with IP address 192.168.1.5 activates relay 1 of the WEBRelay when a connection between the Robin and a telephone is established and on that telephone the '*1' keys are pressed. It stays activated for the duration of 5 seconds.
- 2 The Robin SV with IP address 192.168.1.6 activates relay 2 of the WEBRelay every time the unit makes a call to a telephone and deactivates when the call is disconnected.
- 3 The Robin SV with IP address 192.168.1.7 activates relay 3 of the WEBRelay every time the camera in the unit detects motion. The relay stays activated for a minimum duration of 10 seconds.

Configuration of the WEBRelay

The WEBRelay needs some basic configuration before it can be used with a Robin product.

IP address:

By default, the WEBRelay uses IP address 192.168.1.2. You'll need to change this to an address that is reachable by the Robin. To change the address, go to: 192.168.1.2/setup.html
For this example you can leave it as it is.



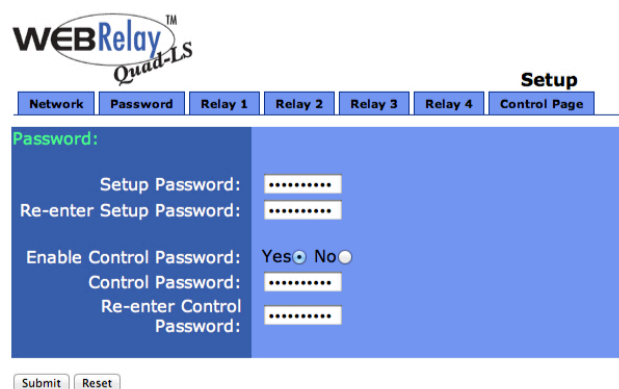
The screenshot shows the WEBRelay Quad-LS Setup interface. The 'Network' tab is selected. The page title is 'Setup'. The navigation menu includes 'Network', 'Password', 'Relay 1', 'Relay 2', 'Relay 3', 'Relay 4', and 'Control Page'. The 'Network' section is highlighted in blue. It contains the following fields and options:

- IP Address: 192 . 168 . 1 . 2
- Netmask: 255 . 255 . 255 . 0
- Broadcast: 10 . 0 . 0 . 255
- Gateway: 192 . 168 . 1 . 1
- TCP Port: 80
- Modbus Port: 502
- Speed: 10 Mbps 100 Mbps
- Mode: Half Duplex Full Duplex

A message states: "Network parameters require reboot before they take effect." At the bottom, there are 'Submit' and 'Reset' buttons.

Password:

By default, you don't need a password to control the relay. For security purposes it's recommended to set a 'Control password' and to change the default 'Setup password' of the WEBRelay.



The screenshot shows the WEBRelay Quad-LS Setup interface. The 'Password' tab is selected. The page title is 'Setup'. The navigation menu includes 'Network', 'Password', 'Relay 1', 'Relay 2', 'Relay 3', 'Relay 4', and 'Control Page'. The 'Password' section is highlighted in blue. It contains the following fields and options:

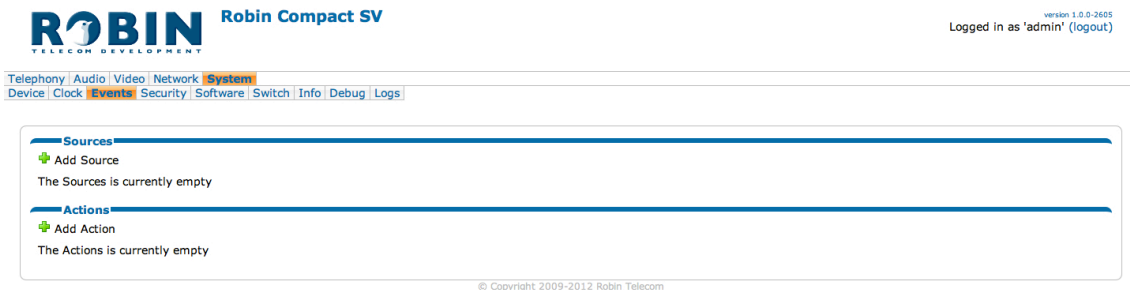
- Setup Password: [password field]
- Re-enter Setup Password: [password field]
- Enable Control Password: Yes No
- Control Password: [password field]
- Re-enter Control Password: [password field]

At the bottom, there are 'Submit' and 'Reset' buttons.

Configuration of the Robin

You can configure the 'Events' in -System-Events- in the WEB-GUI of the Robin.

The configuration of the Robin SIP s2 (192.168.1.5):



Click on 'Add Source'



- Define a name for this 'Source', in this case 'Activate Relay 1'
- Select the 'Source type', in this case 'dtmf'
- The minimal duration will keep this source active for at least 1 second. Leave it like this
- Select the key that will follow the *, in this case 1
- Apply settings

Click on 'Add Action'

ROBIN Robin Compact SV version 1.0.0-2605
Logged in as 'admin' (logout)

Telephony | Audio | Video | Network | **System**
Device | Clock | **Events** | Security | Software | Switch | Info | Debug | Logs

Switch Relay 1

Delete Action

- Name: Switch Relay 1
- Enable:
- Source type: Activate Relay 1
- Edge: Both
- Action type: Webrelay
- Address: 192.168.1.2
- Relay: 1
- Action: Pulse
- Duration: 5
- Use authentication:
- Password: *****

© Copyright 2009-2012 Robin Telecom

- Define a name for this 'Action', in this case 'Switch Relay 1'
- Select the 'Source type', in this case the just created source: 'Activate Relay 1'
- Select the 'Action type', in this case 'webrelay'
- At 'Address', fill-in the IP address of the WEBRelay, in this case 192.168.1.2
- Select the relay to switch, in this case relay 1
- Select the 'Action', in this case 'Pulse' to activate the relay and deactivate it after a defined time
- Define the duration (the time that the relay stays active), in this case 5 seconds
- If the WEBRelay needs 'Authentication', select it and fill in the password
- Apply settings

The Robin will now activate relay 1 of the WEBRelay if during a conversation between the Robin and a phone the '*' followed by the '1' are pressed. The 'Events' page will look like this:

ROBIN Robin Compact SV version 1.0.0-2605
Logged in as 'admin' (logout)

Telephony | Audio | Video | Network | **System**
Device | Clock | **Events** | Security | Software | Switch | Info | Debug | Logs

Sources

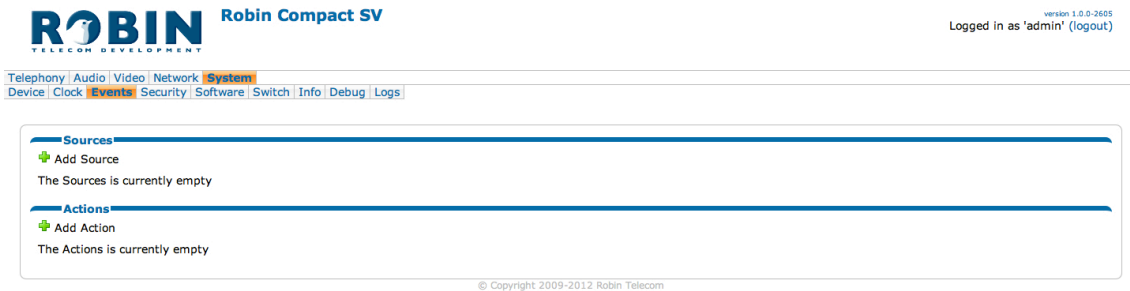
Name	Enable	Active	Source type	Min duration
Activate Relay 1	<input checked="" type="checkbox"/>	<input type="checkbox"/>	Dtmf	1 seconds

Actions

Name	Enable	Source type	Action type
Switch Relay 1	<input checked="" type="checkbox"/>	Activate Relay 1	Webrelay

© Copyright 2009-2012 Robin Telecom

The configuration of the Robin SV (192.168.1.6):



ROBIN Robin Compact SV
TELECOM DEVELOPMENT

version 1.0.0-2605
Logged in as 'admin' (logout)

Telephony | Audio | Video | Network | **System**
Device | Clock | **Events** | Security | Software | Switch | Info | Debug | Logs

Sources
+ Add Source
The Sources is currently empty

Actions
+ Add Action
The Actions is currently empty

© Copyright 2009-2012 Robin Telecom

Click on 'Add Source'



ROBIN Robin Compact SV
TELECOM DEVELOPMENT

version 1.0.0-2605
Logged in as 'admin' (logout)

Telephony | Audio | Video | Network | **System**
Device | Clock | **Events** | Security | Software | Switch | Info | Debug | Logs

Delete Source

Name: Outgoing call

Enable:

Active:

Source type: Call

Min duration: 1 seconds

Direction: Outgoing

Apply settings

© Copyright 2009-2012 Robin Telecom

- Define a name for this 'Source', in this case 'Outgoing call'
- Select the 'Source type', in this case 'Call'
- The minimal duration will keep this source active for at least 1 second. Leave it like this
- Select the direction of the call, in this case 'Outgoing' (call initiated by the Robin)
- Apply settings

Click on 'Add Action'

The screenshot shows the Robin Compact SV web interface. At the top left is the 'ROBIN TELECOM DEVELOPMENT' logo and 'Robin Compact SV'. At the top right, it says 'version 1.0.0-2605' and 'Logged in as 'admin' (logout)'. Below the header is a navigation menu with 'Telephony', 'Audio', 'Video', 'Network', and 'System' (highlighted). Under 'System', there are sub-menus: 'Device', 'Clock', 'Events', 'Security', 'Software', 'Switch', 'Info', 'Debug', and 'Logs'. The main content area is titled 'Relay 2 on' and has a 'Delete Action' button. The configuration fields are:

- Name: Relay 2 on
- Enable:
- Source type: Outgoing call
- Edge: Rising
- Action type: Webrelay
- Address: 192.168.1.2
- Relay: 2
- Action: On
- Use authentication:
- Password: *****

At the bottom of the form is an 'Apply settings' button. A copyright notice at the bottom center reads '© Copyright 2009-2012 Robin Telecom'.

- Define a name for this 'Action', in this case 'Relay 2 on'
- Select the 'Source type', in this case the just created source: 'Outgoing call'
- Select Edge, in this case 'Rising' (=start of call)
- Select the 'Action type', in this case 'webrelay'
- At 'Address', fill-in the IP address of the WEBRelay, in this case 192.168.1.2
- Select the relay to switch, in this case relay 2
- Select the 'Action', in this case 'On'
- If the WEBRelay needs 'Authentication', select it and fill in the password
- Apply settings

The Robin will now activate relay 2 of the WEBRelay when the connection between the Robin and a phone is established. To make sure it will deactivate the relay when the call has ended it's necessary to create a second 'Action'.

ROBIN Robins Compact SV
TELECOM DEVELOPMENT

version 1.0.0-2655
Logged in as 'admin' (logout)

Telephony | Audio | Video | Network | **System**
Device | Clock | **Events** | Security | Software | Switch | Info | Debug | Logs

Relay 2 off

Delete Action

- Name
- Enable
- Source type
- Edge
- Action type
- Address
- Relay
- Action
- Use authentication
- Password

- Define a name for this 'Action', in this case 'Relay 2 off'
- Select the 'Source type', in this case the just created source: 'Outgoing call'
- Select Edge, in this case 'Falling' (=end of call)
- Select the 'Action type', in this case 'webrelay'
- At 'Address', fill-in the IP address of the WEBRelay, in this case 192.168.1.2
- Select the relay to switch, in this case relay 2
- Select the 'Action', in this case 'Off'
- If the WEBRelay needs 'Authentication', select it and fill in the password
- Apply settings

The Robin will now deactivate relay 2 of the WEBRelay when the connection between the Robin and a phone has ended. The 'Events' page will look like this:

ROBIN Robins Compact SV
TELECOM DEVELOPMENT

version 1.0.0-2655
Logged in as 'admin' (logout)

Telephony | Audio | Video | Network | **System**
Device | Clock | **Events** | Security | Software | Switch | Info | Debug | Logs

Sources

Name	Enable	Active	Source type	Min duration
Outgoing call	<input checked="" type="checkbox"/>	<input type="checkbox"/>	Call	1 seconds

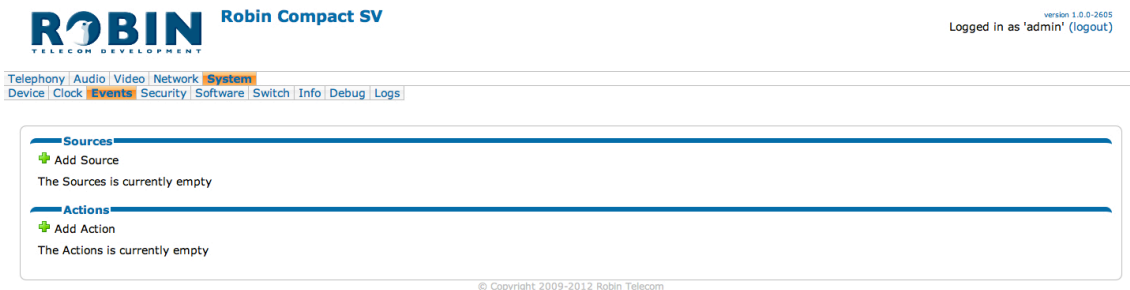
Actions

Name	Enable	Source type	Action type
Relay 2 off	<input checked="" type="checkbox"/>	Outgoing call	Webrelay
Relay 2 on	<input checked="" type="checkbox"/>	Outgoing call	Webrelay

© Copyright 2009-2012 Robin Telecom

The configuration of the Robin SV (192.168.1.7):

! Note: Before defining a new 'Event', first you'll need to create a good working 'Motion' trigger in the Robin SV (-Video-Motion- in the WEB-GUI). More information about 'Motion' can be found in the manual of the Robin SV. !



Click on 'Add Source'



- Define a name for this 'Source', in this case 'Motion detection'
- Select the 'Source type', in this case 'Motion'
- In this example we set the 'Min. duration' to 10 seconds. This will keep the event active for at least 10 seconds. If the motion is active for e.g. 22 seconds, 10 seconds are added to that time, so the relay will remain active for 32 seconds in total
- Apply settings

Click on 'Add Action'

The screenshot shows the Robin Compact SV web interface. At the top left is the 'ROBIN TELECOM DEVELOPMENT' logo and 'Robin Compact SV'. At the top right, it says 'version 1.0.0-2605' and 'Logged in as 'admin' (logout)'. Below the header is a navigation menu with 'Telephony', 'Audio', 'Video', 'Network', 'System', 'Device', 'Clock', 'Events', 'Security', 'Software', 'Switch', 'Info', 'Debug', and 'Logs'. The 'System' menu is expanded, showing 'Relay 3 on' selected. The configuration form for 'Relay 3 on' includes a 'Delete Action' link, a list of fields with expandable sections, and an 'Apply settings' button. The fields are: Name (Relay 3 on), Enable (checked), Source type (Motion detection), Edge (Rising), Action type (Webrelay), Address (192.168.1.2), Relay (3), Action (On), Use authentication (checked), and Password (masked with asterisks). A copyright notice '© Copyright 2009-2012 Robin Telecom' is at the bottom.

- Define a name for this 'Action', in this case 'Relay 3 on'
- Select the 'Source type', in this case the just created source: 'Motion detection'
- Select Edge, in this case 'Rising' (=start of motion trigger)
- Select the 'Action type', in this case 'webrelay'
- At 'Address', fill-in the IP address of the WEBRelay, in this case 192.168.1.2
- Select the relay to switch, in this case relay 3
- Select the 'Action', in this case 'On'
- If the WEBRelay needs 'Authentication', select it and fill in the password
- Apply settings

The Robin will now activate relay 3 of the WEBRelay when motion is detected. To make sure it will deactivate the relay when the motion is stopped it's necessary to create a second 'Action'.

ROBIN Robin Compact SV version 1.0.0-2655
Logged in as 'admin' (logout)

Telephony | Audio | Video | Network | **System**
 Device | Clock | **Events** | Security | Software | Switch | Info | Debug | Logs

Relay 3 off

Delete Action

- Name
- Enable
- Source type
- Edge
- Action type
- Address
- Relay
- Action
- Use authentication
- Password

© Copyright 2009-2012 Robin Telecom

- Define a name for this 'Action', in this case 'Relay 3 off'
- Select the 'Source type', in this case the just created source: 'Motion detection'
- Select Edge, in this case 'Falling' (=end of motion)
- Select the 'Action type', in this case 'webrelay'
- At 'Address', fill-in the IP address of the WEBRelay, in this case 192.168.1.2
- Select the relay to switch, in this case relay 3
- Select the 'Action', in this case 'Off'
- If the WEBRelay needs 'Authentication', select it and fill in the password
- Apply settings

The Robin will now deactivate relay 3 of the WEBRelay when the motion has stopped. The 'Events' page will look like this:

ROBIN Robin Compact SV version 1.0.0-2655
Logged in as 'admin' (logout)

Telephony | Audio | Video | Network | **System**
 Device | Clock | **Events** | Security | Software | Switch | Info | Debug | Logs

Sources

Name	Enable	Active	Source type	Min duration
Motion detection	<input checked="" type="checkbox"/>	<input type="checkbox"/>	Motion	10 seconds

Actions

Name	Enable	Source type	Action type
Relay 3 off	<input checked="" type="checkbox"/>	Motion detection	Webrelay
Relay 3 on	<input checked="" type="checkbox"/>	Motion detection	Webrelay

© Copyright 2009-2012 Robin Telecom