

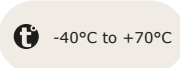
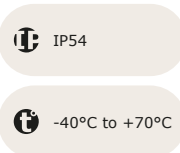


Audio Pro 2

Robin Pro SIP Audio Intercom



- Clear communication through HD Audio
- 2x touch-sensitive call buttons
- High-end full anodised aluminium
- Weatherproof & UV-resistant
- Power-over-Ethernet (PoE)
- Built-in relay



Product Description

The Robin Pro SIP Audio Intercom is a professional IP-based audio intercom designed for reliable and intuitive communication. With a simple press of the doorbell, the system generates a clear call signal and instantly connects to a configured telephone, SIP client, or device.

The intercom supports Secure SIP protocol, enabling straightforward integration with a wide range of SIP-based telephone systems. Suitable for both residential and commercial applications, it offers dependable performance in demanding environments.

For enhanced usability, the Robin Pro features engravable, LED-backlit push-buttons, ensuring excellent visibility and clear identification even in low-light conditions.

High-definition audio performance is delivered through advanced codecs, providing crystal-clear voice quality for accurate and natural communication.

Also Available in This Range



Audio Pro 1

F0413000002

Robin 1-Button Pro SIP Audio Intercom



Audio Pro 2

F0413000003

Robin 2-Button Pro SIP Audio Intercom



Audio Pro 4

F0413000004

Robin 4-Button Pro SIP Audio Intercom



Audio Pro Keypad

F0413000005

Robin Digital Keypad Pro SIP Audio Intercom



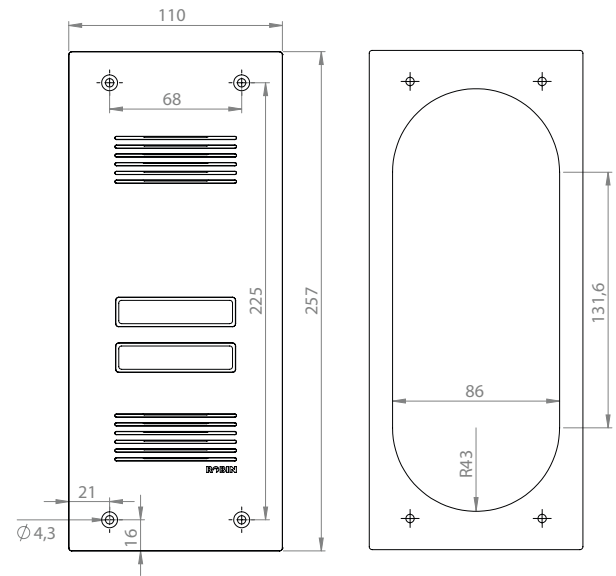
Technical Specifications

Mechanical

Material	Anodised aluminium (brushed finish) with engravable tag
Humidity	5-95% non-condensing (RH)
Weight	866g
IP Rating	IP54
Dimensions	257 x 110 x 42 mm

Interface

LAN	10/100BASE-TX with push-in terminal block at intercom-side
Cable Type	Cat5e or above
Passive Switch	NO/NC-contact, up to 24V / 0.75A (18W)



Signaling Protocols

SIP	UDP, TCP, TLS
Secure SIP	Yes
Integrations	API

Mobile Applications

Android & iOS	Native PBX, Microsoft Teams
Web Interface	HTTP, HTTPS
SSL Certificate	Yes
CSR	Yes

Firmware

Checking	Automatic
Installation	Manual (automatic with rollback)
Support	Remote access, VPN-tunnel

Audio

Codecs	uLaw, aLaw, G.722, OPUS
Protocol	RTP/SRTP
Microphone	Omni-directional
Sensitivity	-44 ±3 dB (1 kHz, 0 dB = 1 V/Pa)
SNR	~70dB
Speaker	Integrated
SPL	84dB (1W/1m)
Frequency	180-17000Hz
Output	2 WRMS
Resonance Frequency	300 Hz

Electrical

Power Supply	PoE IEEE802.3af - 15.4W
---------------------	-------------------------

Accessories



Pro SB

Robin Pro surface mounting box



Pro FB

Robin Pro in-wall mounting box

Proline Label 2V/4V

Replacement label for Audio Pro 2/4

Webrelay

IP-Quad Webrelay (PoE)