

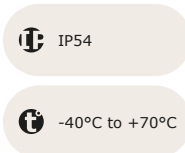


## Audio Pro 4

### Robin Pro SIP Audio Intercom



- Clear communication through HD Audio
- 4x touch-sensitive call buttons
- High-end full anodised aluminium
- Weatherproof & UV-resistant
- Power-over-Ethernet (PoE)
- Built-in relay



## Product Description

The Robin Pro SIP Audio Intercom is a professional IP-based audio intercom designed for reliable and intuitive communication. With a simple press of the doorbell, the system generates a clear call signal and instantly connects to a configured telephone, SIP client, or device.

The intercom supports Secure SIP protocol, enabling straightforward integration with a wide range of SIP-based telephone systems. Suitable for both residential and commercial applications, it offers dependable performance in demanding environments.

For enhanced usability, the Robin Pro features engravable, LED-backlit push-buttons, ensuring excellent visibility and clear identification even in low-light conditions.

High-definition audio performance is delivered through advanced codecs, providing crystal-clear voice quality for accurate and natural communication.

## Range References



### Audio Pro 1

F0413000002

Robin 1-Button Pro SIP Audio Intercom



### Audio Pro 2

F0413000003

Robin 2-Button Pro SIP Audio Intercom



### Audio Pro 4

F0413000004

Robin 4-Button Pro SIP Audio Intercom



### Audio Pro Keypad

F0413000005

Robin Digital Keypad Pro SIP Audio Intercom



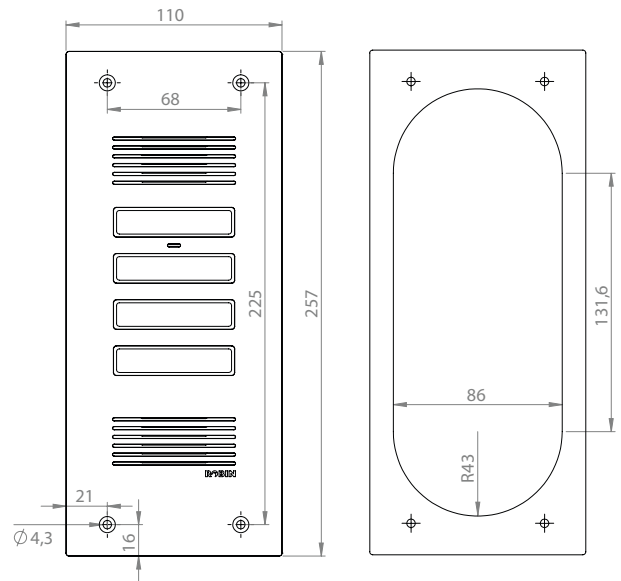
# Technical Specifications

## Mechanical

<b>Material</b>	Anodised aluminium (brushed finish) with engravable tag
<b>Humidity</b>	5-95% non-condensing (RH)
<b>Weight</b>	867g
<b>IP Rating</b>	IP54
<b>Dimensions</b>	257 x 110 x 42 mm

## Interface

<b>LAN</b>	10/100BASE-TX with push-in terminal block at intercom-side
<b>Cable Type</b>	Cat5e or above
<b>Passive Switch</b>	NO/NC-contact, up to 24V / 0.75A (18W)



## Signaling Protocols

<b>SIP</b>	UDP, TCP, TLS
<b>Secure SIP</b>	Yes
<b>Integrations</b>	API

## Mobile Applications

<b>Android &amp; iOS</b>	Native PBX, Microsoft Teams
<b>Web Interface</b>	HTTP, HTTPS
<b>SSL Certificate</b>	Yes
<b>CSR</b>	Yes

## Firmware

<b>Checking</b>	Automatic
<b>Installation</b>	Manual (automatic with rollback)
<b>Support</b>	Remote access, VPN-tunnel

## Accessories



**Pro SB**  
Robin Pro surface mounting box



**Pro FB**  
Robin Pro in-wall mounting box

**Proline Label 2V/4V**  
Replacement label for Audio Pro 2/4

**Webrelay**  
IP-Quad Webrelay (PoE)

## Audio

<b>Codecs</b>	G.722, OPUS
<b>Protocol</b>	RTP/SRTP
<b>Microphone</b>	Omni-directional
Sensitivity	-44 ±3 dB (1 kHz, 0 dB = 1 V/Pa)
SNR	~70dB
<b>Speaker</b>	Integrated
Frequency	180-17000Hz
Output	2 WRMS
SPL	84dB (1W/1m)
Resonance Frequency	300 Hz

## Electrical

<b>Power Supply</b>	PoE IEEE802.3af - 15.4W
---------------------	-------------------------

All the information contained within this document (pictures, drawings, features, dimensions, specifications), could be perceptibly different and can be changed without prior notice. 26/01/26 CDVI\_Audio Pro 4\_DS\_01\_EN-FR\_A4\_C